

# STAINLESS STEEL FLAP SHUTTER COWL



CVE Shop Stainless Steel Cowls are manufactured from 304 Grade stainless, with non-return flap.

Made for surface mounting for extract ducts. Easy fix four hole fixing to wall with screws and plugs provided.

Gasket seal between wall and shutter. Spigot on rear push fit into extract ducts.

Operating temperatures -15°C to +60°C

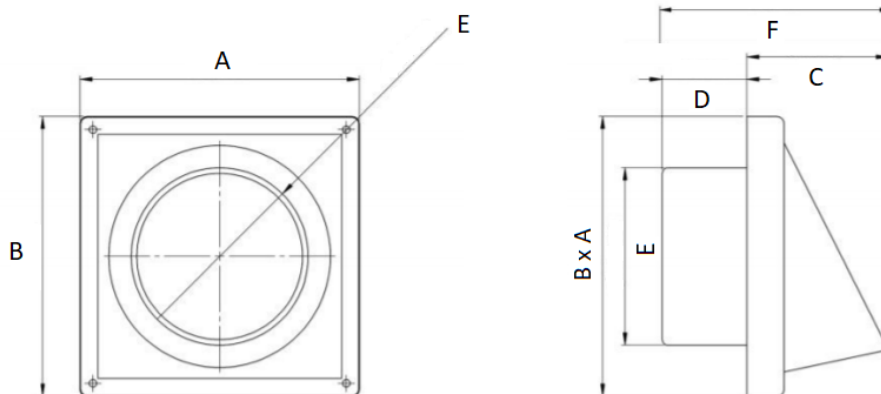
The standard finish for this product is Stainless Steel 304. Should you require an alternative colour, we can powder coat your louvre to match any RAL/BS colour required.

## Options and Accessories

- Bird mesh or fly screen can be fitted to rear
- Non-return flap shutter can be removed if required



Sizes Available / Dimensions						
CVE Product Code	A Width	B Height	C Projection	D Neck Length	E Neck Diameter	F Overall
CVSSWC-100	150mm	150mm	76mm	45mm	95mm	121mm
CVSSWC-125	180mm	180mm	98mm	45mm	120mm	143mm
CVSSWC-150	180mm	180mm	100mm	45mm	145mm	145mm



Technical Data						
CVE Product Code	Vol	Res	Vol	Res	Vol	Res
CVSSFSC-100	30m <sup>3</sup> h	17Pa	60m <sup>3</sup> h	28Pa	80m <sup>3</sup> h	10Pa
CVSSFSC-125	40m <sup>3</sup> h	15Pa	90m <sup>3</sup> h	20Pa	130m <sup>3</sup> h	30Pa
CVSSFSC-150	60m <sup>3</sup> h	20Pa	130m <sup>3</sup> h	30Pa	190m <sup>3</sup> h	60Pa