

Description

This series air differential pressure switches are suited in domestic, commercial and industrial areas, strong polluted on air conditioning and ventilating systems for:

- Filter monitoring
- Correct fan functioning control
- Low pressure and overpressure monitoring

Features

- Differential pressure for air controls
- Alarm activation at a pre-set value

Specification

Contact: 1 snap-action pole change over contacts

Switch capacity: 5 (0.8) A, 250Vac

Differential: Fixed

Working Temp: -30~+85°C

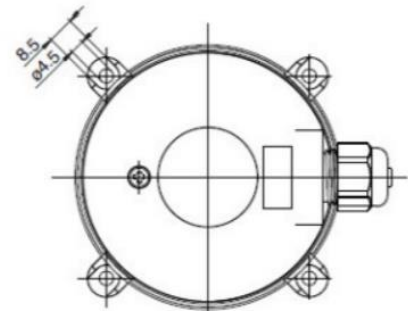
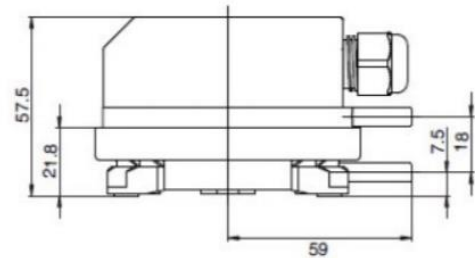
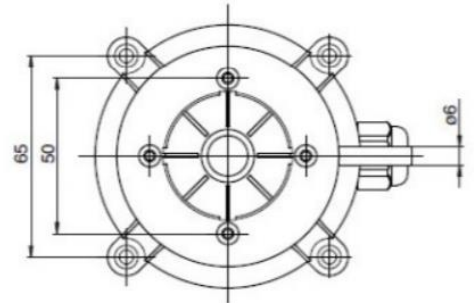
Max pressure: 75mbar (<75°C); 50mbar (>75°C)

Diaphragm: Silicon

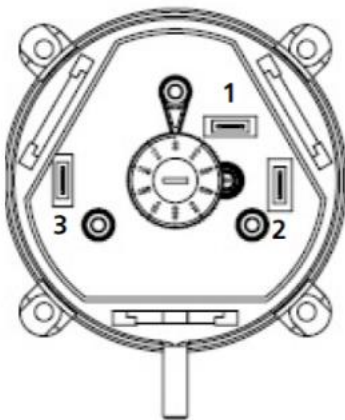
Storage: -30~+85°C

Housing: PA/ABS/POM Protection: IP54

Dimensions (mm)



Electrical Connection

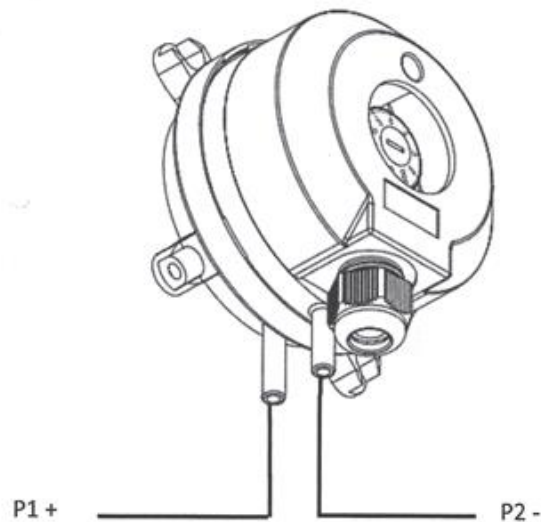


- 1 N/C Contact
- 2 N/O Contact
- 3 Common

When wiring to a Merlin unit – use terminals 2 & 3



Positioning of tubes



The P1+ Tube goes into the ventilation system before the fan.

The P2- is commonly left open to atmosphere, although to increase the sensitivity of the PD switch you can locate the additional tube to after the fan.